

The Modular Gland Plate is an innovative sealing system where inserts can be changed depending on your needs. You can design your own configuration based on how many openings you want, where you want them placed, and what type of seal you want to have. You are no longer forced to use a fixed gland plate with a certain number of pre-determined openings. You choose the configuration that suits your needs.

The push-out membranes ensure fast and easy installation without worries about achieving the correct IP-level. Should you want cable anchorage on certain cables then just install a protection grommet or a cable gland in the plate. If a cable no longer will be used you can seal the opening either by replacing the insert or cutting out the membrane and sealing the opening with one of our grommets.

The Modular Gland Plate offers a number of features that you cannot find in any other gland plate solution.

- Design your own configuration, with the right size openings, and right number of openings placed where you want them
- Push-out membranes to make installation fast, easy and fool-proof
- High IP-protection
- No need to drill separate holes to install a protection grommet or a cable gland
- The inserts are easily changed to adapt to new needs
- Very easy to seal an opening that no longer will be used

Interchangeable inserts

Design your own solution

Compact design

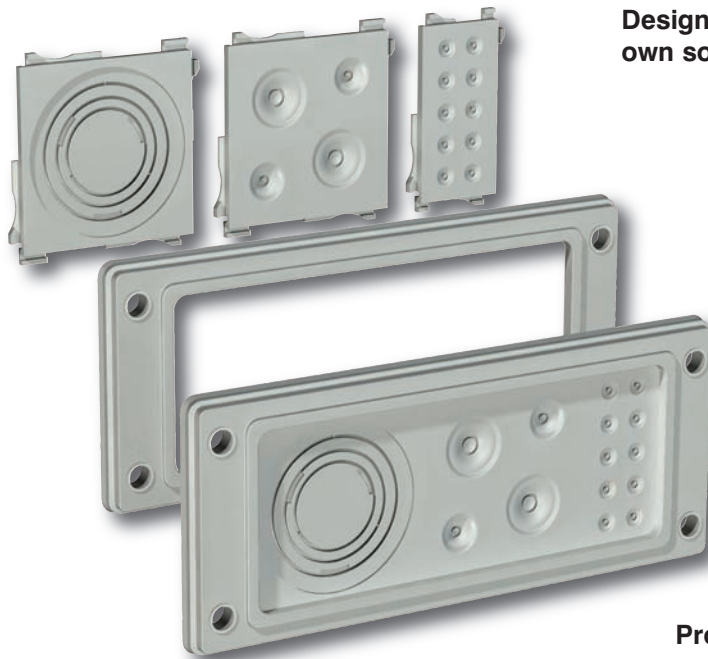
"Pop-out" membranes.

IP65, with or without cables

"Free placement" of openings

Protection grommet or cable gland installation in the flange.

Possible to change configuration later on.



Modular Gland Plate - Preconfigured Kits



PART NUMBER AND COLOUR		Aperature Size	For Cable/Pipe diameters	Frame Dimensions			Type	Unit Quantity
Grey RAL7035	Black RAL9005			L1	L2	H		
3210101	3210119	FL21	2x 5 to 10 2x 8 to 17 2x 6 to 13 20x 4 to 10	214	90	9	A	1
3210102	3210120	FL21	2x 6 to 13 2x 8 to 17 30x 4 to 10	214	90	9	B	1
3210103	3210121	FL21	18x 7 to 14 10x 4 to 10	214	90	9	C	1
3210105	3210123	FL13	1 x 6 to 13 10x 4 to 10	134	52	6.5	D	1

Materials: Fiberglass re-inforced Polypropylene and TPE
UL approved materials
Halogen-Free

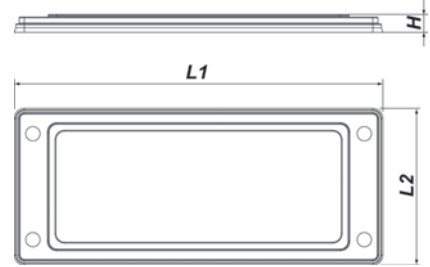
- Interchangeable inserts
- Compact design
- IP65, with or without cables
- "Free placement" of openings
- "Pop-out" membranes

Mode of protection: IP65

Temperature range: -20°C.... +125°C (unstressed material)

Test standards: EN 60529:1991 + A1
EN 60670-1:2005, EN 50262:1998
EMKO-TUI(03-SEC)FI001/84
Semko report 816003

RoHS Directive 2002/95/EC compliant **RoHS ✓**



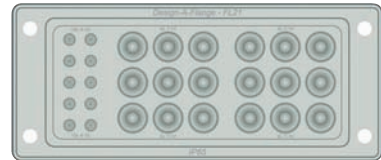
Type A



Type B



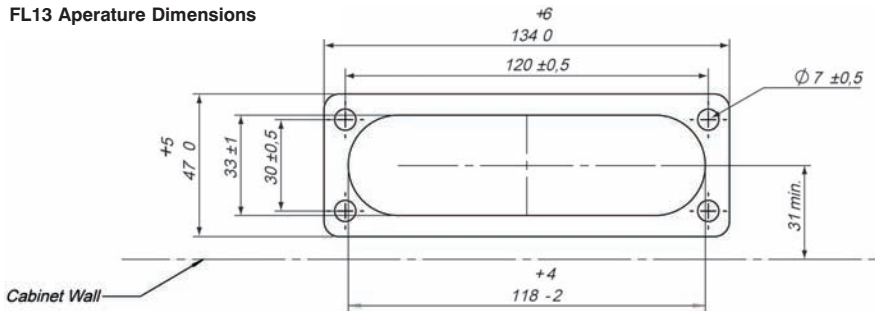
Type C



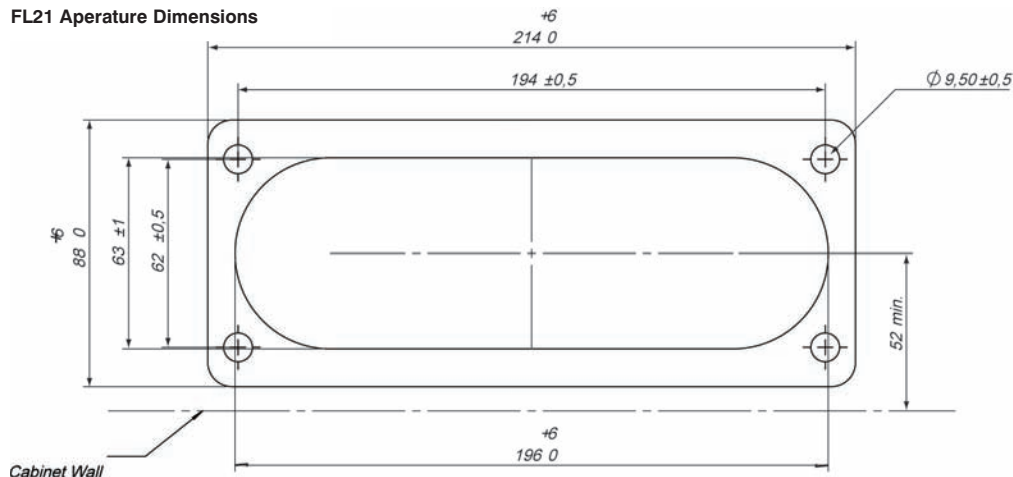
Type D



FL13 Aperature Dimensions



FL21 Aperature Dimensions



NEW!



Modular Gland Plate - Frames

PART NUMBER AND COLOUR		Aperature Size	Frame Dimensions			Unit Quantity
Grey RAL7035	Black RAL9005		L1	L2	H	
3210100	3210118	FL21	214	90	9	1
3210104	3210122	FL13	134	52	6.5	1

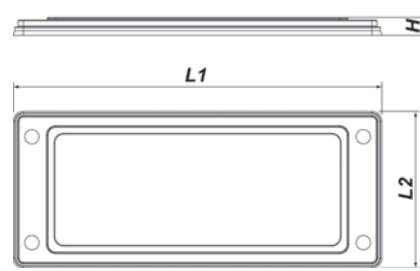
Materials: Fiberglass re-inforced Polypropylene and TPE
 UL approved materials
 Halogen-Free

Mode of protection: IP65

Temperature range: -20°C... +125°C (unstressed material)

Test standards: EN 60529:1991 + A1
 EN 60670-1:2005, EN 50262:1998
 EMKO-TUI(03-SEC)FI001/84
 Semko report 816003

RoHS Directive 2002/95/EC compliant **RoHS ✓**



Modular Gland Plate - Inserts

PART NUMBER AND COLOUR		Frame Size	For Cable/Pipe diameters	Insert Size	Type	Unit Quantity
Grey RAL7035	Black RAL9005					
3210106	3210124	FL21	2x 5 to 10 & 2x 8 to 17	68 x 68	A	1
3210107	3210125	FL21	Knockout for M32, M40 & M50 glands	68 x 68	B	1
3210108	3210126	FL21	9x 7 to 14	68 x 68	C	1
3210109	3210127	FL21	2x 20 to 30 & 2x 10 to 20	68 x 68	D	1
3210110	3210128	FL21	1x 30 to 50	68 x 68	E	1
3210111	3210129	FL21	2x 8 to 17	68 x 34	F	1
3210112	3210130	FL21	2x M20	68 x 34	G	1
3210113	3210131	FL21	10x 4 to 10	68 x 34	H	1
3210114	3210132	FL13	2x 8 to 17	34 x 68	I	1
3210115	3210133	FL13	2x M20	34 x 68	J	1
3210116	3210134	FL13	10x 4 to 10	34 x 68	K	1
3210117	3210135	FL13	1x M20	34 x 34	L	1

Materials: Fiberglass re-inforced Polypropylene and TPE
 UL approved materials
 Halogen-Free

Mode of protection: IP65

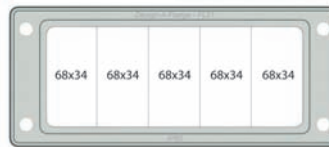
Temperature range: -20°C... +125°C (unstressed material)

Test standards: EN 60529:1991 + A1
 EN 60670-1:2005, EN 50262:1998
 EMKO-TUI(03-SEC)FI001/84
 Semko report 816003

RoHS Directive 2002/95/EC compliant **RoHS ✓**

Frame Capacities

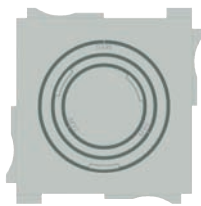
FL21 Frame



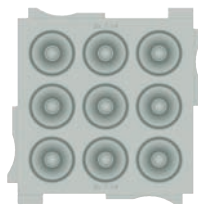
FL13 Frame



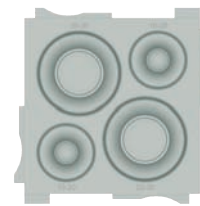
Type A



Type B



Type C



Type D



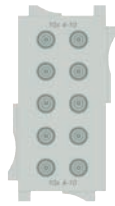
Type E



Type F



Type G



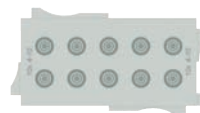
Type H



Type I



Type J



Type K



Type L

NEW!

